



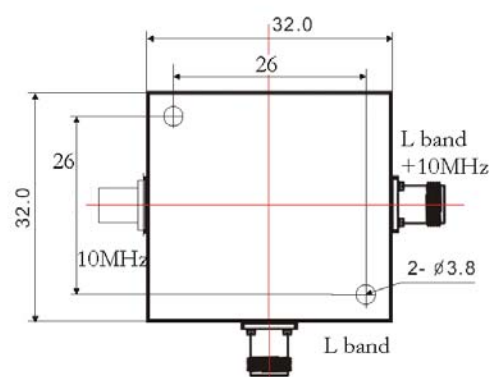
DIP10M 10MHz / Lband Diplexer



The DIP10M is a high performance diplexer for combining 10MHz reference signal with a L-Band feed. The case is machined from Aluminium alloy and has a Nickel plated finish.

Either N type, BNC or SMA connectors can be specified.

Parameter	Specification
Frequency range (MHz)	800-2200 1 to 20
Insertion Loss typ/max (dB)	0.3/0.6
Loss at 10MHz (dB)	<1
Isolation Typ/Min (dB)	30/25
VSWR Typ/Max	1.2 / 1.5



CCS (satcom) Ltd, 2, Ajax Close, Braintree, CM7 9UP, England
 Tel/Fax +44 (0) 1376 552 736 mobile: 077 342 766 84 email:jim.watkins@ccs-satcom.co.uk
 Www.ccs-satcom.co.uk